

Irrigabras Irrigation Systems

Hose Reel Irrigator



Irrigabras Hose Reel Irrigator

Since 1985, Irrigabras has been supplying the irrigation market with innovative and high technology products.

The **Irrigabras Hose Reel Irrigator** is an equipment manufactured in Brazil with Italian technology used in irrigation and wastewater distribution.

Irrigabras has a wide range of machine models with the latest generation technical solutions which meets the needs of small, medium and large farmers, irrigating a wide variety of crops.



- Hot galvanized chassis and turn-table, painted drum.
- High flotation tires with inner tube.
- Turbine with built-in by-pass, flanged directly to the gearbox.
- Mechanical foot, to adjust the height of the drawbar and to obtain a better leveling of the machine on the ground.
- Automatic device to stop the PE hose winding at the end of the irrigation cycle.
- Automatic mechanical speed equalizer.
- Safety protections on the drum, the gear rack and the chain.
- 5 meters flexible hose connection.
- Hot galvanized sprinkler trolley.
- Slow reverse sprinkler with nozzles set.
- Mechanical devices to lift the sprinkler trolley and for the movement of rear stabilizing feet.



Structure A

Polyethylene hose

- Ø 63mm - Length: 250m and 300m
- Ø 75mm - Length: 200m and 250m
- Ø 90mm - Length: 120m

Standard

- Gearbox with 3 speeds.
- Hot galvanized 3-wheel offset sprinkler trolley.
- Impulse sprinkler with slow reverse.

Optional

- Electronic control panel with speed equalizer, internal speed sensor and solar panel.
- Double water inlet.
- Sprinkler driven by turbine device or variable jet-angle.

Sprinklers available

- Hydra;
- Royal;
- Reflex;
- Klicker;
- Mariner;
- Twin 101 Ultra;
- Twin 140 Ultra;

Structure C

Polyethylene hose

- Ø 75mm - Length: 300m, 350m and 400m
- Ø 90mm - Length: 250m, 300m and 350m
- Ø 110mm - Length: 220m

Standard

- Gearbox with 6 speeds.
- Hot galvanized 3-wheel offset sprinkler trolley.
- Impulse sprinkler with slow reverse.

Optional

- Electronic control panel with speed equalizer, internal speed sensor and solar panel.
- Hydraulic hold-down and lifting device of sprinkler trolley by hand pump.
- Double water inlet.
- Sprinkler driven by turbine device or variable jet-angle.

Sprinklers available

- Royal;
- Reflex;
- Mariner;
- Konkord (variable angle);
- Klicker;
- Twin 101 Ultra;
- Twin 140 Ultra;

Structure D

Polyethylene hose

- Ø 90mm - Length: 400m and 450m
- Ø 110mm - Length: 250m, 300m and 330m

Standard

- Gearbox with 6 speeds.
- Hot galvanized 3-wheel offset sprinkler trolley.
- Impulse sprinkler with slow reverse.

Optional

- Electronic control panel with speed equalizer, internal speed sensor and solar panel.
- Hydraulic hold-down and lifting device of sprinkler trolley by hand pump.
- Double water inlet.
- Front axle.
- Sprinkler driven by turbine device or variable jet-angle.
- 5-wheel sprinkler trolley.

Sprinklers available

- Reflex;
- Mariner;
- Konkord (variable angle);
- Twin 140 Ultra;
- Twin 160 Ultra;

Structure E

Polyethylene hose

- Ø 110mm - Length: 350m and 400m
- Ø 125mm - Length: 280m
- Ø 140mm - Length: 250m

Standard

- Gearbox with 4 speeds.
- Hot galvanized 5-wheel offset sprinkler trolley.
- Impulse sprinkler with slow reverse.

Optional

- Electronic control panel with speed equalizer, internal speed sensor and solar panel.
- Hydraulic hold-down and lifting device of sprinkler trolley by hand pump.
- Double water inlet.
- Front axle.
- Sprinkler driven by turbine device or variable jet-angle.

Sprinklers available

- Reflex;
- Explorer;
- Gemini;
- Kronos (variable angle);
- Twin 202 Ultra;
- SDC-100.

Structure F

Polyethylene hose

- Ø 110mm - Length: 450m, 500m and 550m
- Ø 125mm - Length: 350m and 400m
- Ø 140mm - Length: 300m, 350m and 365m

Standard

- Gearbox with 4 speeds.
- Hot galvanized 5-wheel offset sprinkler trolley.
- Impulse sprinkler with slow reverse.

Optional

- Electronic control panel with speed equalizer, internal speed sensor and solar panel.
- Hydraulic hold-down and lifting device of sprinkler trolley by hand pump.
- Double water inlet.
- Front axle.
- Sprinkler driven by turbine device or variable jet-angle.

Sprinklers available

- Reflex;
- Explorer;
- Gemini;
- Kronos (variable angle);
- Twin 202 Ultra;
- SDC-100.



EASY IRRIGATION CONTROL

Automatic adjustment of by-pass valve through a mechanical system that allows to have a uniform irrigation on the entire sprinkler route.



ELETRONIC IRRIGATION CONTROL

Using the Easy Rain 3 **electronic control panel** you can program and control the irrigation depth by setting the PE hose winding speed, assuring optimal uniformity.



PRECISION

The electronic panel's **speed sensor**, as it is internal to the gearbox, is protected from damage and external dirt, resulting in greater reliability and reading accuracy.

VERSATILITY

3 or 5 wheels offset **sprinkler trolley** in according to the crop row spacing.

Central position

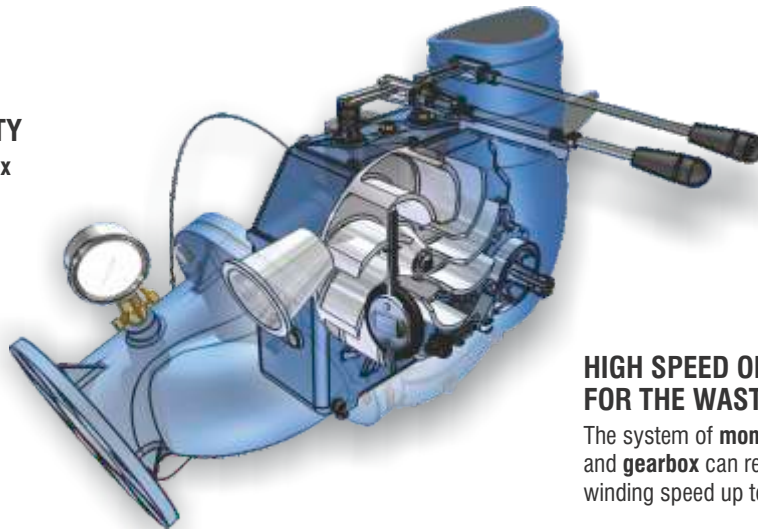


Lateral position



LOWER POWER CONSUMPTION AND IMPROVED OPERATOR SAFETY

The **turbine** and the 3, 4 or 6 speed **gearbox** are directly coupled (**monoblock**) without the use of either pulleys or belts, providing greater operator safety and lower power consumption.



HIGH SPEED OPERATION FOR THE WASTEWATER DISTRIBUTION

The system of **monoblock turbine** and **gearbox** can reach a PE hose winding speed up to 200 mt/h.



Irrigabras Irrigação do Brasil Ltda.

Rua Saburo Sumiya, 83 - Barueri - SP - Brazil - 06440-110
+55 11 2842-6464 | +55 11 4195-0933
irrigabras@irrigabras.com.br | www.irrigabras.com.br



IRRIGABRAS reserves the right to make changes to the specifications of its products without prior notice, exempting itself from the obligation to make modifications to products previously manufactured.

Reproduction is prohibited under penalty of copyright infringement, pursuant to Article 184 of the Brazilian Criminal Code.